

-85A -60V P-channel Enhancement Mode Power MOSFET

1 Description

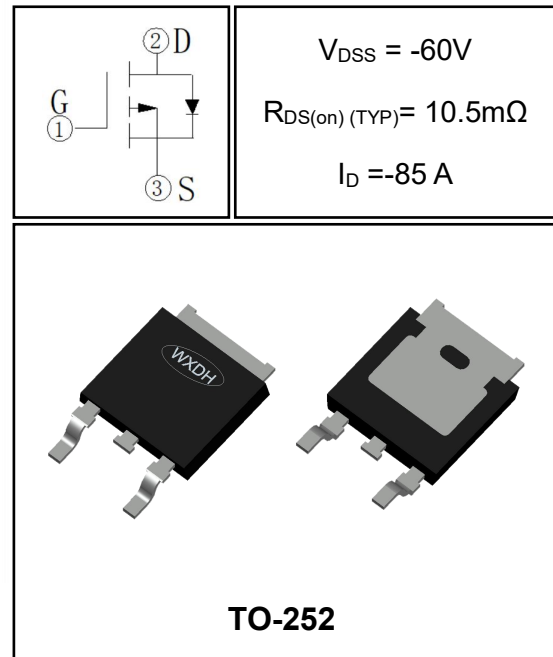
These P-channel enhancement mode power mosfets used advanced trench technology design, provided excellent Rdson and low gate charge. Which accords with the RoHS standard.

2 Features

- High density cell design for ultra low Rdson
- 175°C operating temperature
- Fully characterized avalanche voltage and current
- Good stability and uniformity with high EAS
- Excellent package for good heat dissipation

3 Applications

- Load switch



4 Electrical Characteristics

4.1 Absolute Maximum Ratings (Tc=25°C, unless otherwise noted)

Parameter		Symb	Rating	Units
Drian-to-Source Voltage		V _{DSS}	-60	V
Gate-to-Source Voltage		V _{GSS}	±20	V
Continuous Drain Current	T _C =25°C	I _D	-85	A
	T _C =100°C		-54	A
Pulsed Drain Current ⁽¹⁾		I _{DM}	-340	A
Single Pulse Avalanche Energy ⁽⁴⁾		E _{AS}	600	mJ
Power Dissipation	T _a =25°C	P _{tot}	2	W
	T _C =25°C	P _{tot}	125	W
Junction Temperature Range		T _j	-55~150	°C
Storage Temperature Range		T _{stg}	-55~150	°C

4.2 Thermal Characteristics

Parameter	Symbol	Min	Typ	Max	Units
Thermal Resistance, Junction to Case-sink	R _{thJC}	---	0.78	1	°C/W
Thermal Resistance, Junction to Ambient (PCB Mount)	R _{thJA}	---	---	60	°C/W

4.3 Electrical Characteristics (Tc=25°C, unless otherwise noted)

Parameter	Symbol	Test Condition	Value			Units
			Min	Typ	Max	
Off Characteristics						
Drain-to-Source Breakdown Voltage	BV _{DSS}	I _D =-250μA, V _{GS} =0V	-60	--	--	V
Drain-to-Source Leakage Current	I _{DSS}	V _{DS} =-60V, V _{GS} =0V, T _C =25°C	--	--	-1	μA
		V _{DS} =-60V, V _{GS} =0V, T _C =125°C	--	--	-100	μA
Gate-to-Source Leakage Current	I _{GSS}	V _{GS} =±20V, V _{DS} =0V	--	--	±100	nA
On Characteristics						
Gate Threshold Voltage	V _{GS(th)}	V _{DS} =V _{GS} , I _D =-250μA	-1.0	--	-2.0	V
Drain-to-Source on-state Resistance	R _{DS(on)}	V _{GS} =-10V, I _D =-60A	--	10.5	12.5	mΩ
Dynamic Characteristics						
Input Capacitance	C _{iss}	V _{GS} =0V, V _{DS} =-30V, f=1.0MHz	--	6548	--	pF
Output Capacitance	C _{oss}		--	365	--	
Reverse Transfer Capacitance	C _{rss}		--	293	--	
Gate Resisitance	R _G	V _{DD} =0V, V _{GS} =0V, F=1MHz	--	1.7	--	Ω
Switching Characteristics						
Turn-on Delay Time	t _{d(on)}	V _{gs} =-10V, V _{ds} =-30V, I _d =-60A, R _g =3Ω	--	18	--	nS
Turn-on Rise Time	t _r		--	114	--	
Turn-off Delay Time	t _{d(off)}		--	131	--	
Turn-off Fall Time	t _f		--	202	--	
Total Gate Charge	Q _g	V _{gs} =-10V, V _{ds} =-30V, I _d =-60A	--	82	--	nC
Gate-to-Source Charge	Q _{gs}		--	33	--	
Gate-to-Drain("Miller")	Q _{gd}		--	21	--	
Drain-Source Diode Characteristics						
Diode Forward Voltage ⁽³⁾	V _{SD}	V _{GS} =0V, I _S =-60A	--	--	-1.2	V
Diode Forward Current	I _S		--	--	-85	A
Reverse Recovery Time ⁽³⁾	t _{rr}	T _J =25°C, I _F =-60A	--	33	--	nS
Reverse Recovery	Q _{rr}	dI _F /dt=-100A/us, V _{GS} =0V	--	34	--	nC

Notes:

- 1: Repetitive rating, pulse width limited by maximum junction temperature.
- 2: Surface mounted on FR4 Board, t≤10sec.
- 3: Pulse width ≤ 300μs, duty cycle ≤ 2%.
- 4: L=0.5mH, V_{DD}=-40V, V_{GATE}=-60V, Start T_J=25°C.

5. Typical characteristics diagrams

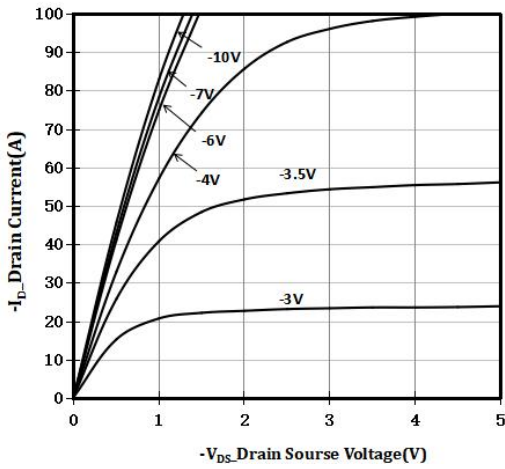


Figure 1 Output Characteristics

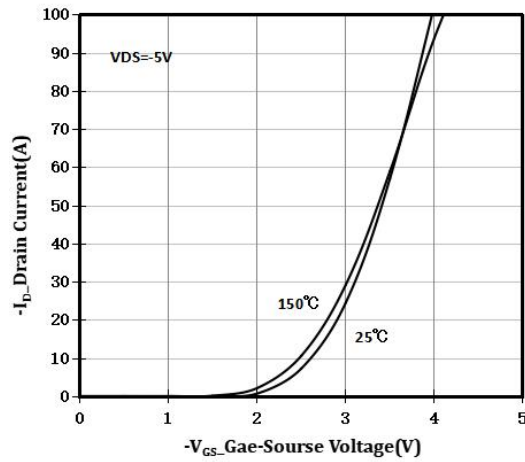


Figure 2 Transfer Characteristics

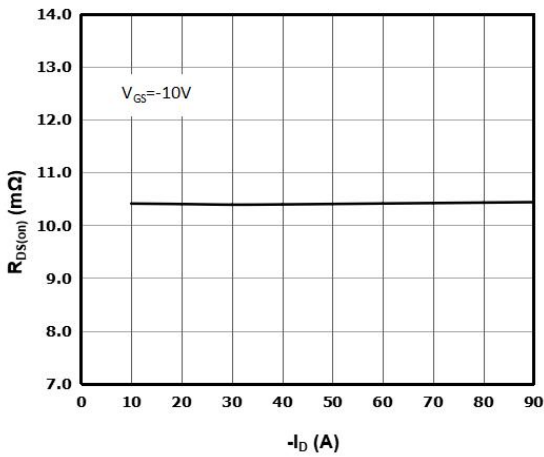


Figure 3 Rdson- Drain Current

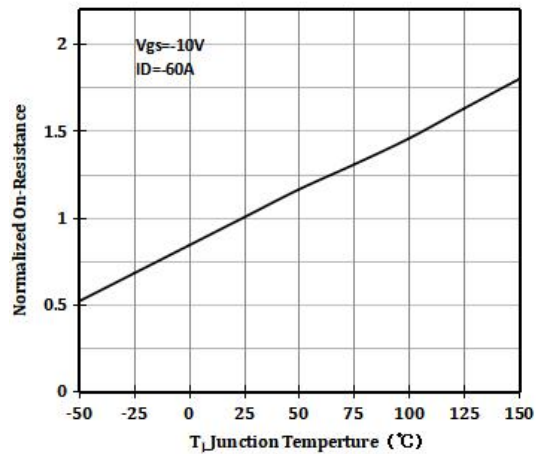


Figure 4 Rdson-Junction Temperature

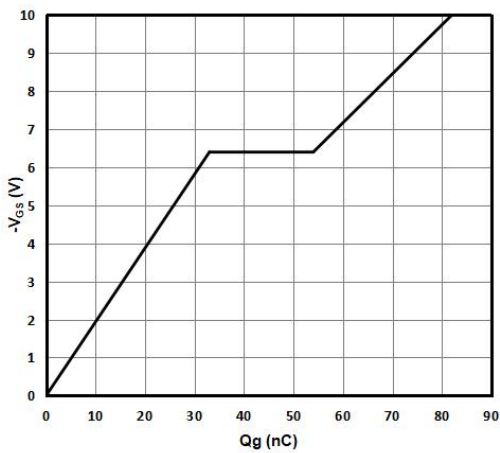


Figure 5 Gate Charge

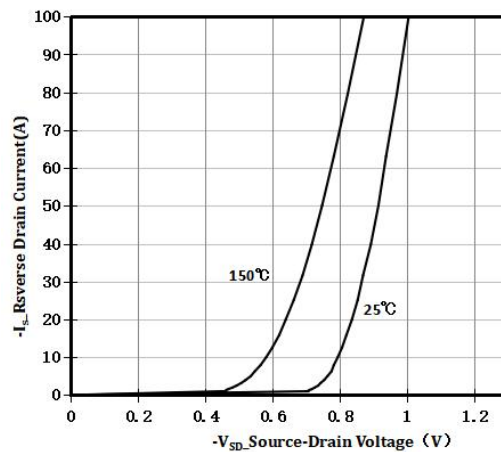


Figure 6 Source- Drain Diode Forward

5 Typical characteristics diagrams(continues)

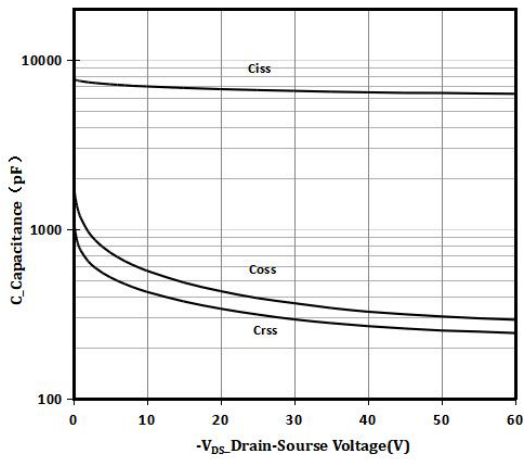


Figure 7 Capacitance vs Vds

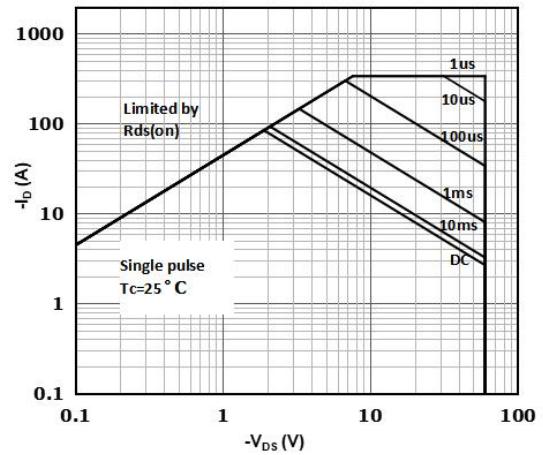


Figure 8 Safe Operation Area

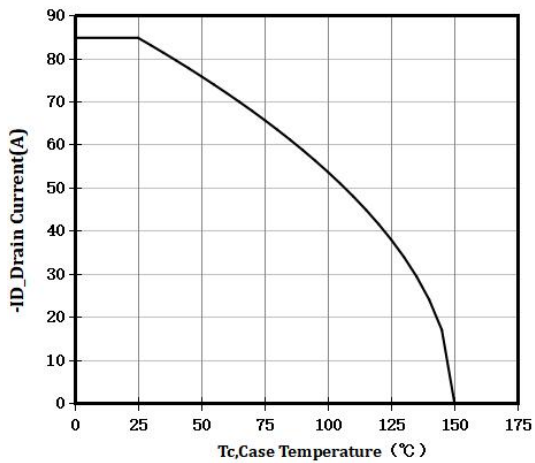


Figure 9. ID Current De-rating

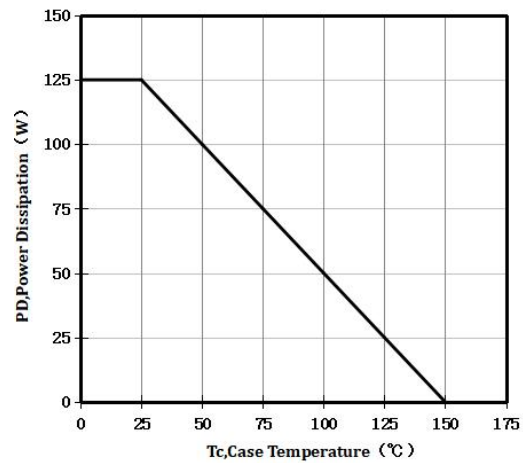


Figure 10. Power De-rating

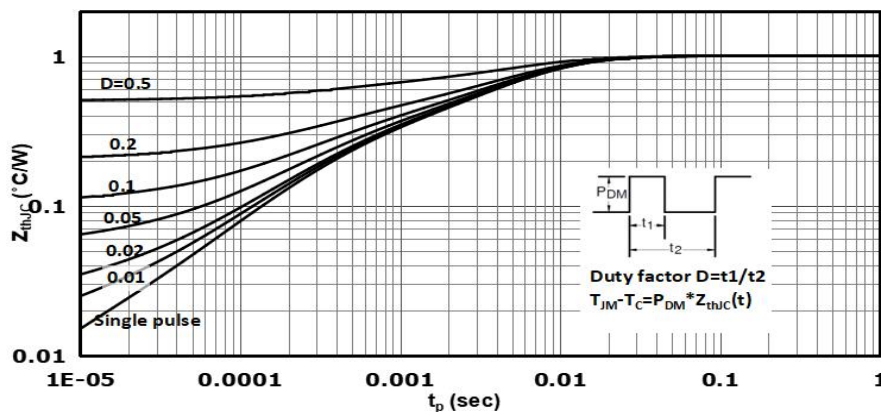
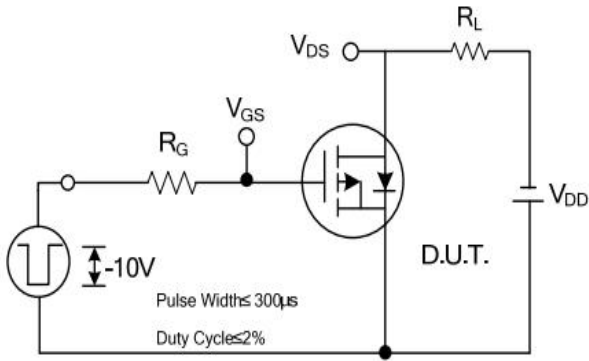
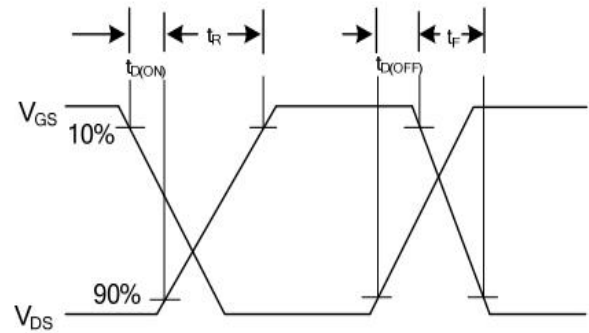


Fig 11. Normalized Maximum Transient Thermal Impedance

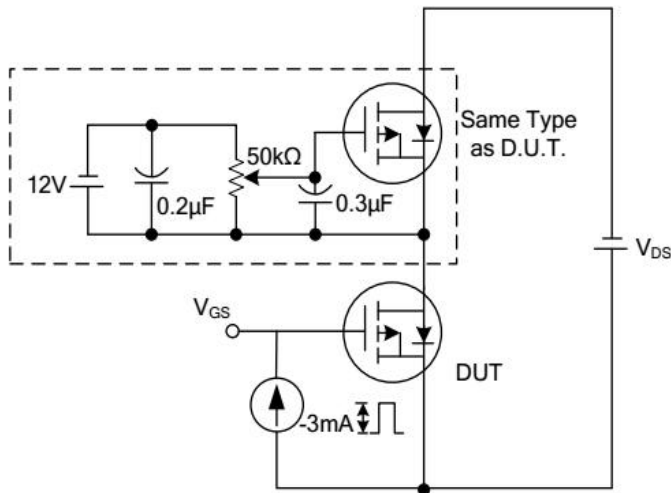
6 Typical Test Circuit and Waveform



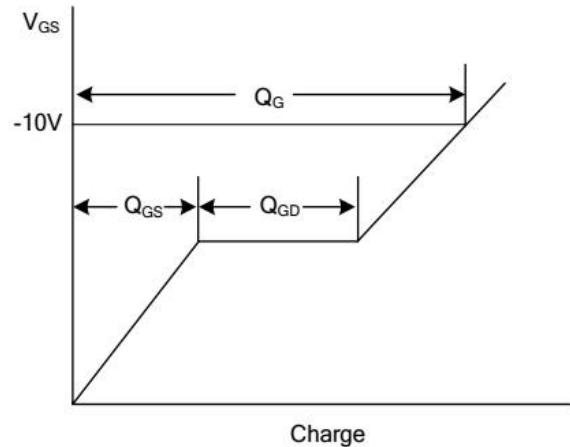
Switching Test Circuit



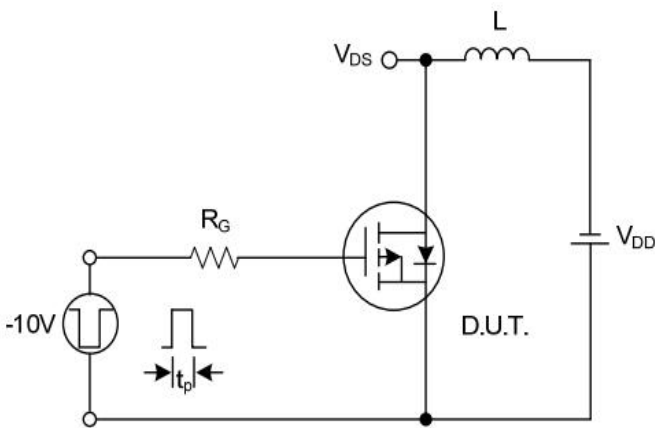
Switching Waveforms



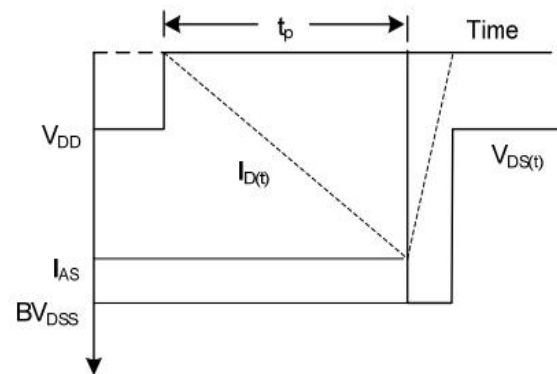
Gate Charge Test Circuit



Gate Charge Waveform

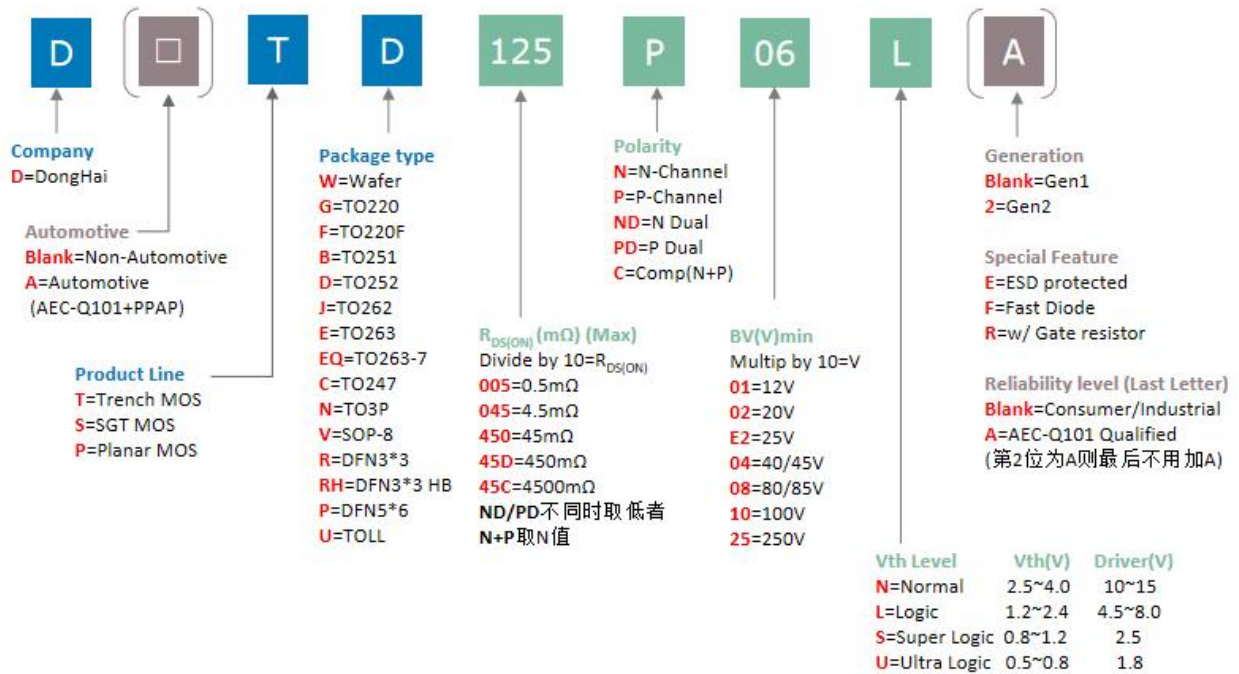


Unclamped Inductive Switching Test Circuit



Unclamped Inductive Switching Waveforms

7 Product Names Rules

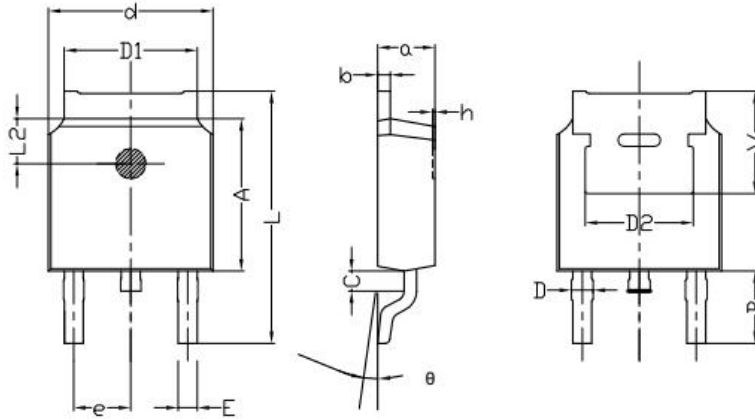


8 Product Specifications and Packaging Models

Product Model	Package Type	Mark Name	RoHS	Package	Quantity
DTD125P06LA	TO-252	DTD125P06LA	Pb-free	Tape & Reel	2500/box

9 Dimensions

TO-252B PACKAGE OUTLINE DIMENSIONS



Symbol	Dimensions In Millimeters		Dimensions In Inches	
	min.	max.	min.	max.
a	2.20	2.40	0.087	0.095
b	0.46	0.58	0.018	0.023
c	0.70	0.90	0.028	0.035
D	0.80	1.00	0.032	0.039
d	6.30	6.70	0.248	0.264
D1	5.00	5.50	0.197	0.217
D2	TYP 4.83		TYP 0.190	
A	5.80	6.20	0.228	0.244
e	2.19	2.39	0.086	0.094
L	9.40	10.40	0.370	0.409
B	2.6	3.2	0.102	0.126
L2	1.5	1.8	0.059	0.071
θ	0	8	0	8
h	0	0.3	0	0.012
V	5.25	5.85	0.207	0.230
E	0.6	0.8	0.024	0.032

10 Attentions

- Jiangsu Donghai Semiconductor Technology CO.,LTD. reserves the right to change the specification without prior notice! The customer should obtain the latest version of the information before making the order and verify that the information is complete and up to date.
- It is the responsibility of the purchaser for any failure or failure of any semiconductor product under certain conditions. It is the responsibility of the purchaser to comply with safety standards and to take safety measures in the system design and machine manufacturing of Donghai products in order to avoid potential risk of failure. Injury or property damage.
- Product promotion is endless, our company will be dedicated to provide customers with better products.

11 Appendix

Revision history:

Date	REV.	Description	Page
2022.10.10	1.0	Original	9