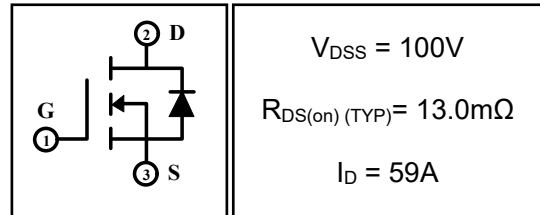


59A 100V N-channel Enhancement Mode Power MOSFET

1 Description

These N-channel enhancement mode power mosfets used advanced trench technology design, provided excellent $R_{DS(on)}$ and low gate charge. Which accords with the RoHS standard.

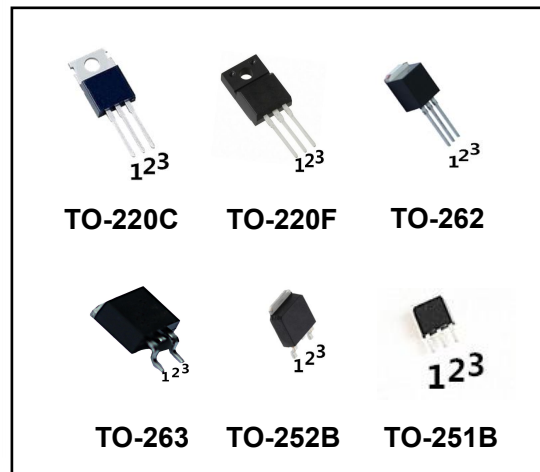


2 Features

- Low on resistance
- Low gate charge
- Fast switching
- Low reverse transfer capacitances
- 100% single pulse avalanche energy test
- 100% ΔV_{DS} test

3 Applications

- Power switching applications
- DC-DC converters
- Power tools
- Automotive electronics



4 Electrical Characteristics

4.1 Absolute Maximum Ratings (Tc=25°C, unless otherwise noted)

Parameter	Symbol	Rating		Units	
		DH0159 DH0159B/ DH0159D DH0159I/ DH0159E	DH0159F		
Drain-to-Source Voltage	V_{DSS}	100		V	
Gate-to-Source Voltage	V_{GSS}	± 20		V	
Continuous Drain Current	I_D	$T_C=25^\circ C$	59	A	
		$T_C=100^\circ C$	41	A	
Pulsed Drain Current ⁽¹⁾	I_{DM}	236		A	
Single Pulse Avalanche Energy ⁽⁴⁾	E_{AS}	441		mJ	
Avalanche Current ⁽⁴⁾	I_{AS}	42		A	
Power Dissipation	P_{tot}	$T_a=25^\circ C$	2.88	2.88	W
		$T_C=25^\circ C$	230	80	W
Isolation Voltage	V_{ISO}	/	2500	V	
Junction Temperature Range	T_j	-55 ~ 175		°C	
Storage Temperature Range	T_{stg}	-55 ~ 175		°C	

4.2 Thermal Characteristics

Parameter	Symbol	Rating		Units
		DH0159 DH0159B/ DH0159D DH0159I/ DH0159E	DH0159F	
Thermal Resistance, Junction to Case-sink	R_{thJC}	0.65	1.88	°C/W
Thermal Resistance, Junction to Ambient	R_{thJA}	75		°C/W

4.3 Electrical Characteristics (Tc=25°C, unless otherwise noted)

Parameter	Symbol	Test Condition	Value			Units
			Min	Typ	Max	
Off Characteristics						
Drain-to-Source Breakdown Voltage	BV_{DSS}	$I_D=250\mu A, V_{GS}=0V$	100	--	--	V
Drain-to-Source Leakage Current	I_{DSS}	$V_{DS}=100V, V_{GS}=0V, T_C=25^\circ C$	--	--	1	μA
		$V_{DS}=100V, V_{GS}=0V, T_C=125$	--	--	100	μA
Gate-to-Source Leakage Current	I_{GSS}	$V_{GS}=\pm 20V, V_{DS}=0V$	--	--	± 100	nA
On Characteristics						
Gate Threshold Voltage	$V_{GS(th)}$	$V_{DS}=V_{GS}, I_D=250\mu A$	2	3	4	V
Drain-to-Source on-state Resistance	$R_{DS(on)}$	$V_{GS}=10V, I_D=30A$	--	13.0	17.0	m Ω
Dynamic Characteristics						
Input Capacitance	C_{iss}	$V_{GS}=0V, V_{DS}=50V, f=1.0MHz$	--	5000	--	pF
Output Capacitance	C_{oss}		--	200	--	
Reverse Transfer	C_{rss}		--	100	--	
Gate Resistance	R_G	$V_{DD}=0V, V_{GS}=0V, F=1MHz$	--	1.5	--	Ω
Switching						
Turn-on Delay Time	$t_{d(on)}$	$I_D=30A, V_{DD}=50V, V_{GS}=10V, V_{GEN}=25\Omega$	--	65	--	nS
Turn-on Rise Time	t_r		--	120	--	
Turn-off Delay Time	$t_{d(off)}$		--	233	--	
Turn-off Fall Time	t_f		--	127	--	
Total Gate Charge	Q_g	$I_D=30A, V_{DD}=50V, V_{GS}=10V$	--	96	--	nC
Gate-to-Source Charge	Q_{gs}		--	31	--	
Gate-to-Drain("Miller")	Q_{gd}		--	25	--	
Drain-Source Diode						
Diode Forward Voltage ⁽³⁾	V_{SD}	$V_{GS}=0V, I_S=30A$	--	--	1.3	V
Diode Forward Current	I_S		--	--	30	A
Reverse Recovery Time	t_{rr}	$T_J=25^\circ C, I_F=60A, di/dt=100A/\mu s, V_{GS}=0V$	--	50	--	nS
Reverse Recovery charge	Q_{rr}		--	95	--	nC

Notes:

- 1: Repetitive rating, pulse width limited by maximum junction temperature.
- 2: Surface mounted on FR4 Board, $t \leq 10sec$.
- 3: Pulse width $\leq 300\mu s$, duty cycle $\leq 2\%$.
- 4: $L=0.5mH, I_D=42A, V_{DD}=50V, V_{GATE}=100V, Start T_J=25^\circ C$.

5 Typical characteristics diagrams

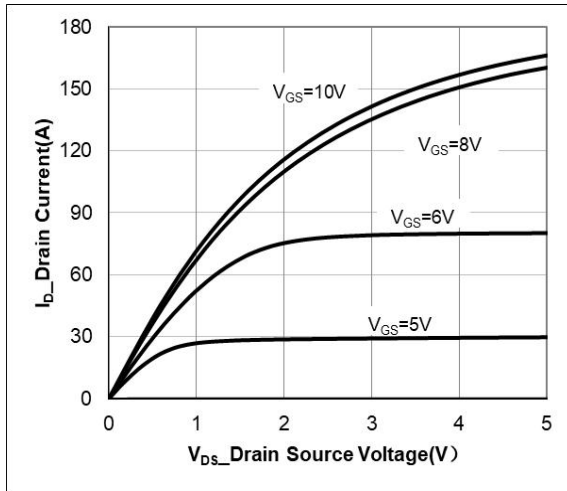


Figure 1 Output Characteristics

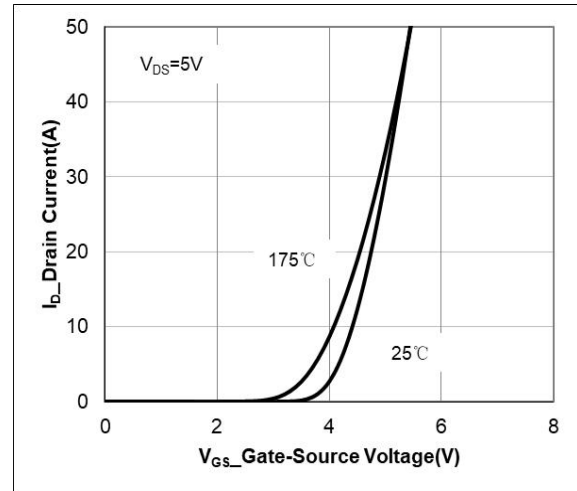


Figure 2 Transfer Characteristics

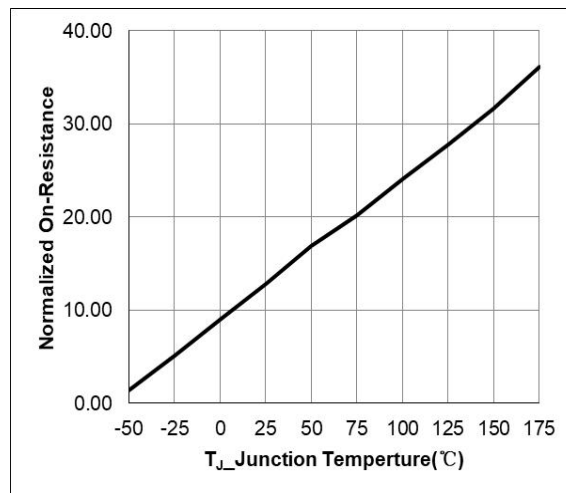


Figure 3 $R_{DS(ON)}$ –Junction Temperature

5 Typical characteristics diagrams(continues)

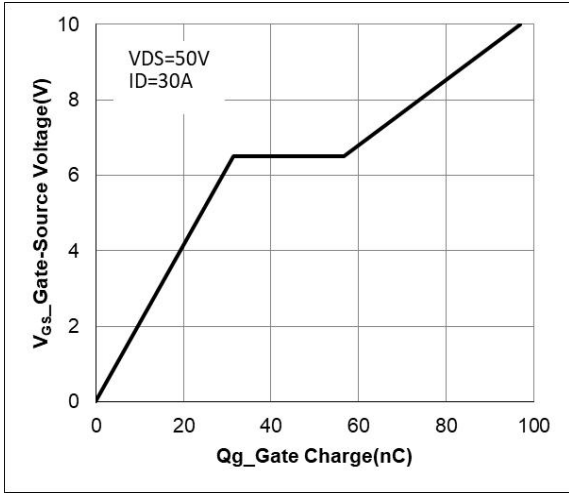


Figure 4 Gate Charge

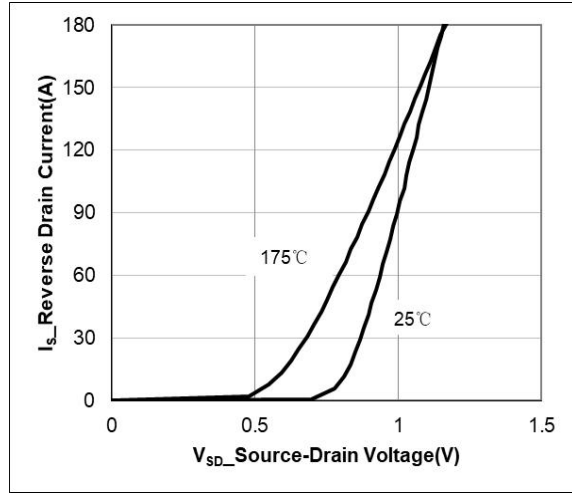


Figure 5 V_{SD} _ Source-Drain Diode forward

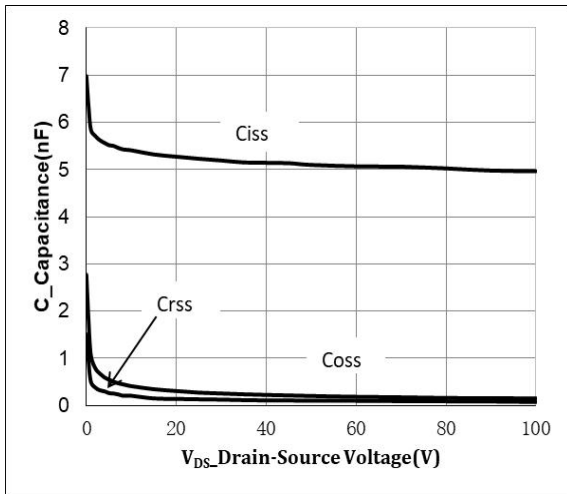


Figure 6 Capacitance Vs V_{DS}

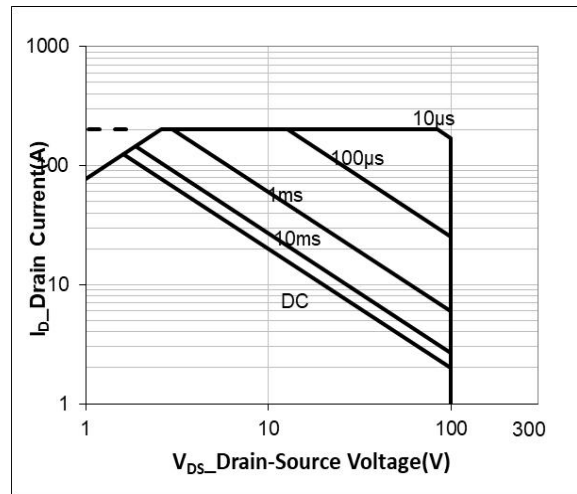


Figure 7 Safe Operation Area

5 Typical characteristics diagrams(continues)

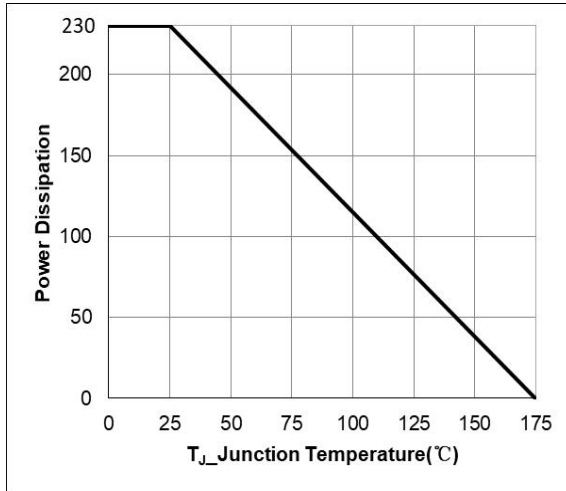


Figure 8 Power De-rating

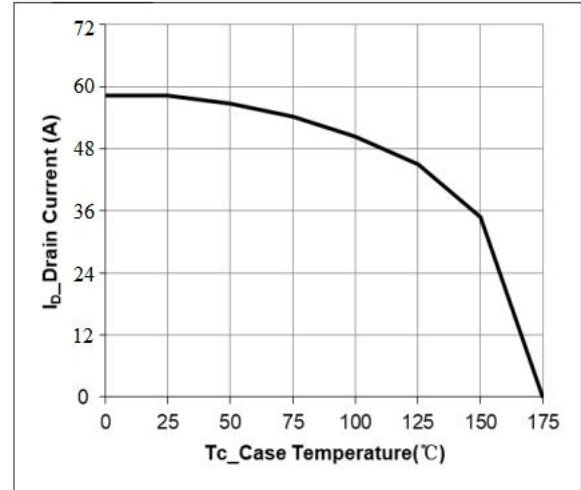


Figure 9 Current De-rating

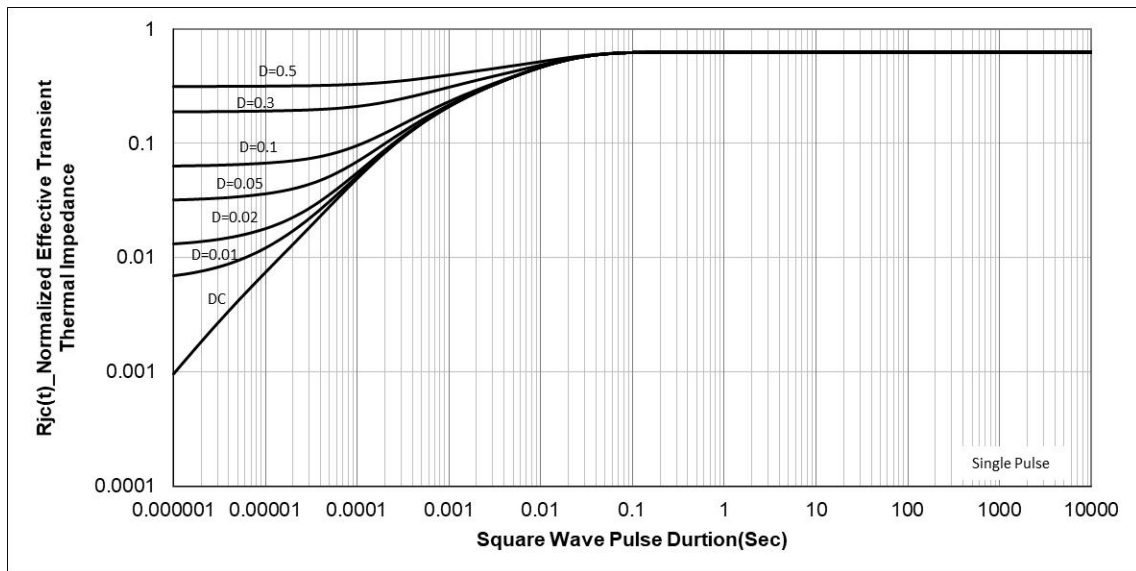
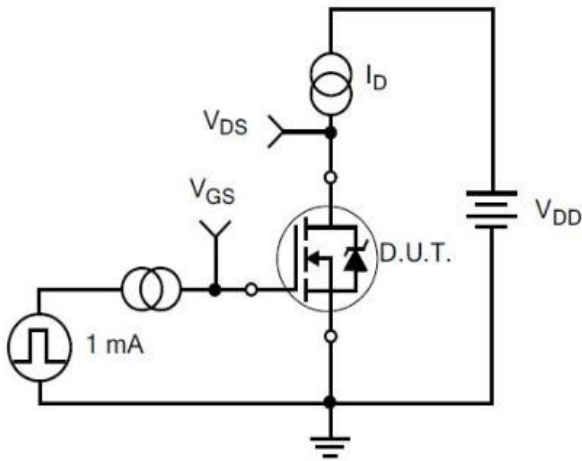
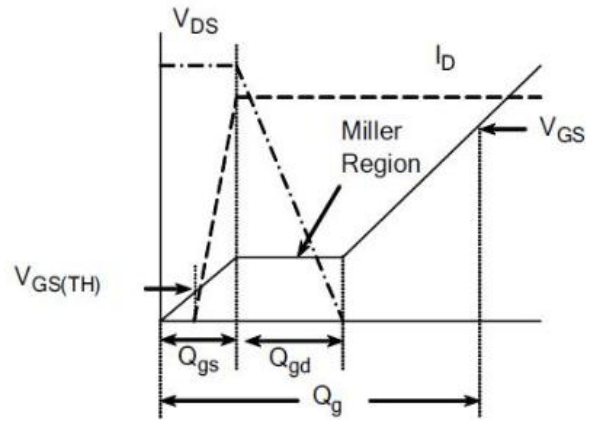


Figure 10 Normalized Maximum Transient Thermal Impedanc

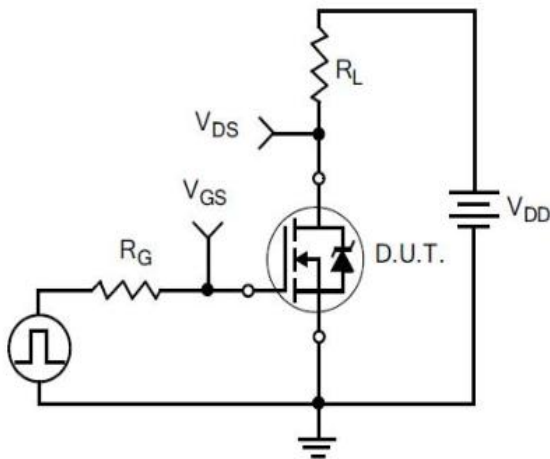
6 Typical Test Circuit and Waveform



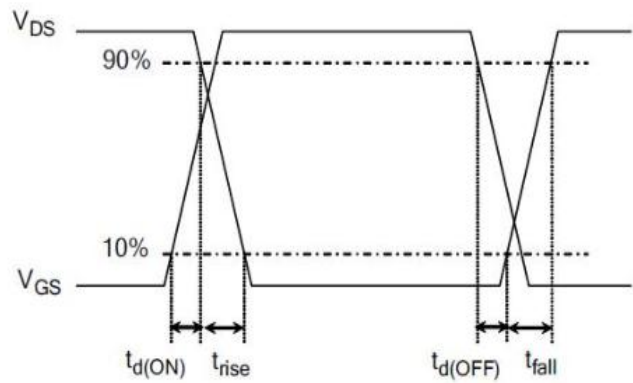
1) Gate Charge Test Circuit



2) . Gate Charge Waveform

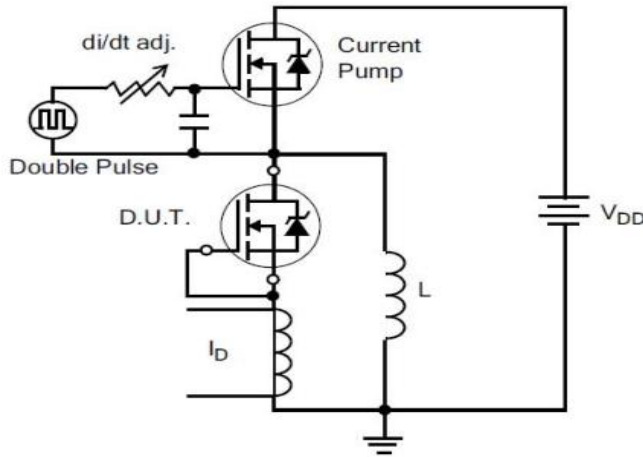


3) Resistive Switching Test Circuit

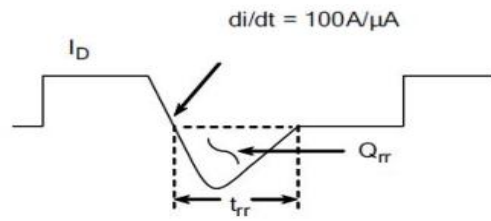


4) Resistive Switching Waveforms

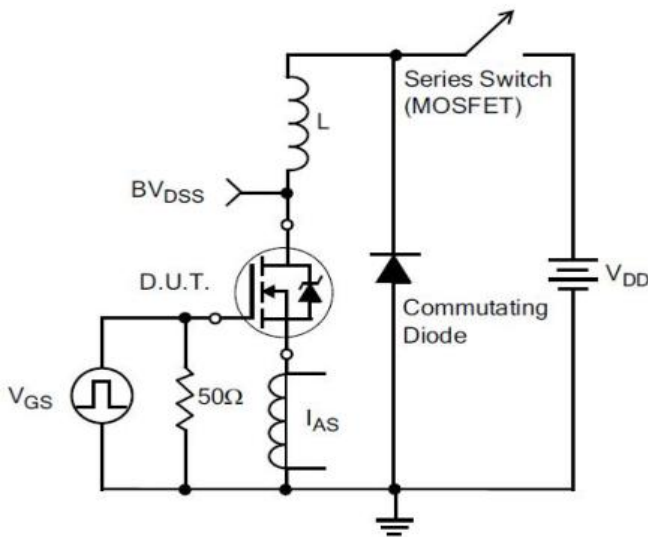
6 Typical Test Circuit and Waveform(continues)



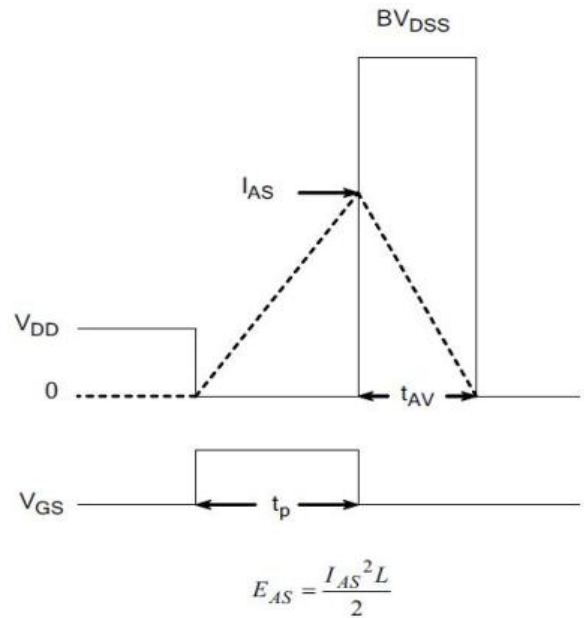
5) Diode Reverse Recovery Test Circuit



6) Diode Reverse Recovery Waveform



7) . Unclamped Inductive Switching Test Circuit



8) Unclamped Inductive Switching Waveforms

7 Product Names Rules

D H X X X N E X X F

LOGO Code: DH

RDSON Specification Code
With 3 Digitals,
For Example:
045 on behalf of 4.5mΩ
050 on behalf of 5.0mΩ
155 on behalf of 15.5mΩ

Channel Polarity Code
N on behalf of N channel
P on behalf of P channel

Packaging Code
220F: F 220: Nothing
262: I 263: E
3P: D 247: B

Rated Voltage Code
With 2-3 Digitals,
For Example:
06 on behalf of 60V
08 on behalf of 80V
045 on behalf of 45V

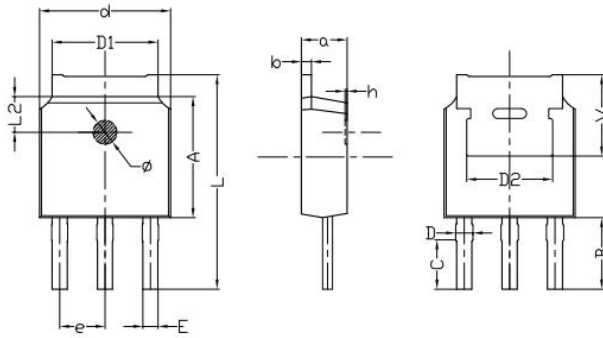
Special Function Code
E on behalf of build-in ESD
Nothing on behalf of not ESD

8 Product Specifications and Packaging Models

Product Model	Package Type	Mark Name	Identification Code	RoHS	Package	Quantity
DH0159	TO-220	DH0159	B76	Pb-free	Tube	1000/box
DH0159F	TO-220F	DH0159F	B76	Pb-free	Tube	1000/box
DH0159B	TO-251	DH0159B	B76	Pb-free	Tube	3000/box
DH0159D	TO-252	DH0159D	B76	Pb-free	Tape & Reel	2500/box
DH0159I	TO-262	DH0159I	B76	Pb-free	Tube	1000/box
DH0159E	TO-263	DH0159E	B76	Pb-free	Tape & Reel	800/box

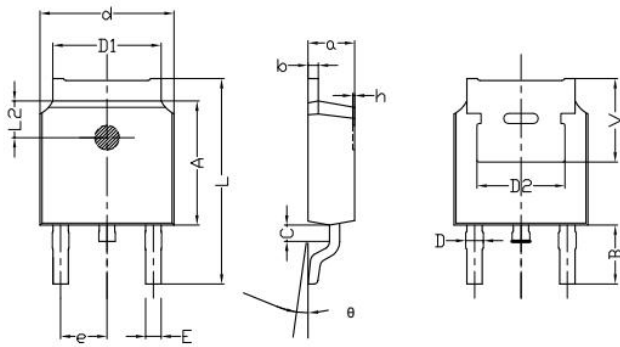
9 Dimensions

TO-251B PACKAGE OUTLINE DIMENSIONS



Symbol	Dimensions In Millimeters		Dimensions In Inches	
	min.	max.	min.	max.
a	2.20	2.40	0.087	0.0946
b	0.46	0.58	0.018	0.023
C	2.45	2.65	0.097	0.104
D	0.80	0.90	0.032	0.035
d	6.30	6.70	0.248	0.264
D1	5.00	5.50	0.197	0.217
D2	TYP 4.83		TYP 0.190	
A	5.80	6.20	0.228	0.244
e	2.19	2.39	0.086	0.094
L	10.40	11.00	0.4098	0.4334
B	3.50	3.70	0.1379	0.1458
L2	1.5	1.8	0.059	0.071
Φ	1.10	1.30	0.0433	0.0512
h	0.00	0.30	0.000	0.012
V	5.25	5.85	0.207	0.230
E	0.60	0.80	0.0236	0.0315

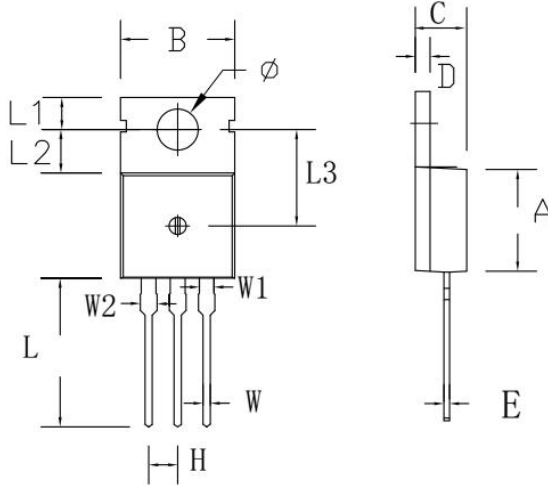
TO-252B PACKAGE OUTLINE DIMENSIONS



Symbol	Dimensions In Millimeters		Dimensions In Inches	
	min.	max.	min.	max.
a	2.20	2.40	0.087	0.095
b	0.46	0.58	0.018	0.023
c	0.70	0.90	0.028	0.035
D	0.80	1.00	0.032	0.039
d	6.30	6.70	0.248	0.264
D1	5.00	5.50	0.197	0.217
D2	TYP 4.83		TYP 0.190	
A	5.80	6.20	0.228	0.244
e	2.19	2.39	0.086	0.094
L	9.40	10.40	0.370	0.409
B	2.6	3.2	0.102	0.126
L2	1.5	1.8	0.059	0.071
θ	0	8	0	8
h	0	0.3	0	0.012
V	5.25	5.85	0.207	0.230
E	0.6	0.8	0.024	0.032

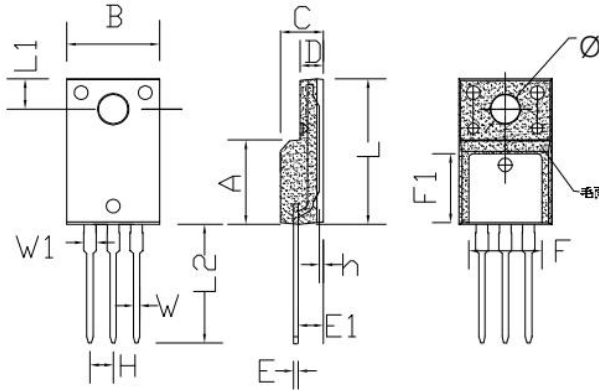
9 Dimensions(continues)

TO-220C PACKAGE OUTLINE DIMENSIONS



Symbol	Dimensions In Millimeters		Dimensions In Inches	
	min.	max.	min.	max.
A	8.80	9.30	0.346	0.366
B	9.70	10.30	0.382	0.406
C	4.25	4.75	0.167	0.187
D	1.20	1.45	0.047	0.057
E	0.40	0.60	0.016	0.024
H	2.54 TYP		0.100 TYP	
W	0.60	0.95	0.024	0.037
W1	1.05	1.45	0.041	0.057
W2	1.20	1.60	0.047	0.063
L	12.60	13.40	0.496	0.528
L1	2.45	2.95	0.096	0.116
L2	3.45	3.95	0.136	0.156
L3	8.15	8.65	0.321	0.341
Φ	3.50	3.90	0.138	0.154

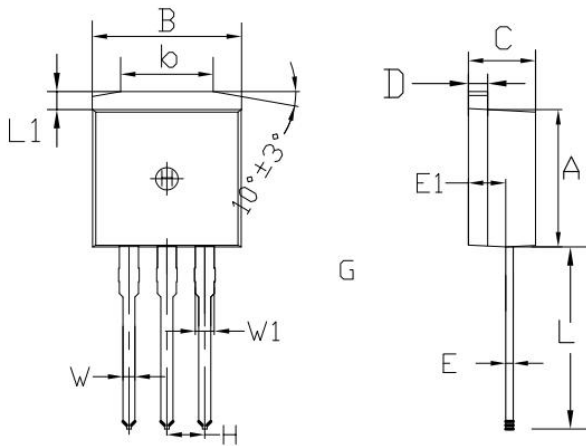
TO-220F PACKAGE OUTLINE DIMENSIONS



Symbol	Dimensions In Millimeters		Dimensions In Inches	
	min.	max.	min.	max.
A	8.80	9.30	0.346	0.366
B	10.00	10.50	0.394	0.413
C	4.30	4.90	0.169	0.193
D	2.30	2.70	0.091	0.106
L	15.55	16.15	0.612	0.636
h	0.40	0.60	0.016	0.024
L1	3.15	3.55	0.124	0.140
L2	12.65	13.35	0.498	0.526
W	0.70	0.90	0.028	0.035
W1	1.15	1.55	0.045	0.061
H	2.54 TYP		0.100 TYP	
E	0.48	0.53	0.019	0.021
Φ	2.90	3.40	0.114	0.134
E1	2.40	2.90	0.094	0.114
F	7.75	8.25	0.305	0.325
F1	7.35	7.85	0.289	0.309

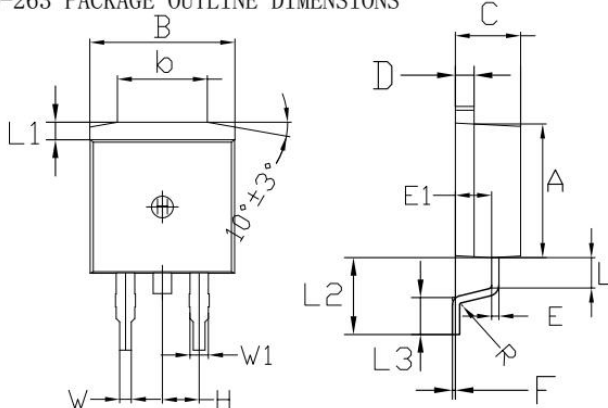
9 Dimensions(continues)

TO-262 PACKAGE OUTLINE DIMENSIONS



Symbol	Dimensions In Millimeters		Dimensions In Inches	
	min.	max.	min.	max.
A	8.80	9.30	0.346	0.366
B	9.70	10.30	0.382	0.406
C	4.25	4.75	0.167	0.187
D	1.20	1.45	0.047	0.057
E	0.40	0.60	0.016	0.024
L	12.25	13.75	0.482	0.541
L1	1.15	1.45	0.045	0.057
E1	2.4	2.6	0.0945	0.1024
W	0.80	0.82	0.0315	0.034
W1	1.20	1.30	0.047	0.051
H	2.54 TYP		0.200 TYP	
b	5.50	6.50	0.216	0.256

TO-263 PACKAGE OUTLINE DIMENSIONS



Symbol	Dimensions In Millimeters		Dimensions In Inches	
	min.	max.	min.	max.
A	8.80	9.30	0.346	0.366
B	9.70	10.30	0.382	0.406
C	4.25	4.75	0.167	0.187
D	1.20	1.45	0.047	0.057
E	0.40	0.60	0.016	0.024
L	1.90	2.30	0.075	0.091
L1	1.15	1.45	0.045	0.057
R	0.24	0.26	0.0095	0.0102
W	0.80	0.82	0.0315	0.0323
W1	1.20	1.30	0.047	0.051
H	2.54 TYP		0.200 TYP	
b	5.50	6.50	0.216	0.256
E1	2.4	2.6	0.0946	0.1024
L2	5.20	5.80	0.205	0.228
L3	2.20	3.20	0.087	0.126
F	0.03	0.23	0.0012	0.0091

10 Attentions

- Jiangsu Donghai Semiconductor Technology CO.,LTD. reserves the right to change the specification without prior notice! The customer should obtain the latest version of the information before making the order and verify that the information is complete and up to date.
- It is the responsibility of the purchaser for any failure or failure of any semiconductor product under certain conditions. It is the responsibility of the purchaser to comply with safety standards and to take safety measures in the system design and machine manufacturing of Donghai products in order to avoid potential risk of failure. Injury or property damage.
- Product promotion is endless, our company will be dedicated to provide customers with better products.

11 Appendix

Revision history:

Date	REV.	Description	Page
2020.09.28	1.0	Original	